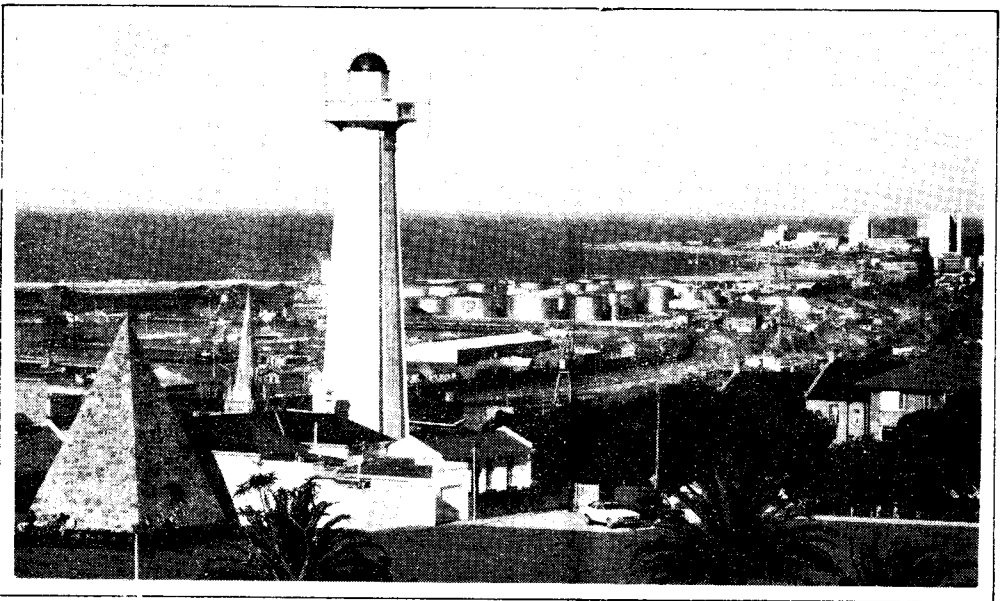


September 1993

TNS

QSOX

Port Elizabeth



The Port Elizabeth Branch of the
South African Radio League
P O Box 10402
Linton Grange 6015

NOTICE OF A.G.M

The Annual General Meeting of the Port Elizabeth Branch of the SA Radio League will be held in the Kabega Scouts Hall, Ritchie Crescent, Kabega, Port Elizabeth on Saturday 18 September 1993 commencing at 4pm (16:00).

The Agenda is as follows:

1. Welcome and Apologies
2. Commemoration of Silent Keys
3. Minutes of Annual General Meeting, September 1992
4. Adoption of Chairman's Report
5. Adoption of Financial Statement
6. Presentation of Trophies
7. Election of Committee Members
8. General

INVITATION TO AGM

Members and their families are cordially invited to attend the Annual General Meeting of the Branch this Saturday, 18 September 1993 at 4pm (see the official notice for details).

The business will be followed by a spit-braai provided by the Branch, together with salads (courtesy of several XYL's), paper plates, rolls, cooldrink and the traditional ice-cream. Those who wish to bring and braai their own meat and wors are most welcome to do so. Please bring along your own refreshments, glasses, etc.

We hope to have the U/D double-sideband band in attendance to entertain us with music.

The cost of providing the spit braai is high and we therefore appeal to you, particularly those who run their own businesses, to make a donation to cover costs.

To get to the Kabega Scout Hall, when travelling west up Cape Road, turn left into Woltemade Street, first left again into Ritchie Crescent and it's on the first corner in Ritchie Crescent. Woltemade Street is almost opposite the Kabega Police Station, just before the Kentucky outlet in Kabega. Don't despair, if you can't find the place or get lost, please call on the 650 Town Repeater.

MINUTES OF THE ANNUAL GENERAL MEETING OF THE
PORT ELIZABETH BRANCH OF THE SA RADIO LEAGUE
HELD ON FRIDAY, 25 SEPTEMBER 1992
IN THE CIVIL DEFENCE CENTRE, MILL PARK.

PRESENT: 58 members and visitors.

APOLOGIES:

Apologies were recorded from ZS2PL, ZS2RL, ZS2MC,
ZS2J and ZR2MBM.

WELCOME:

The Chairman, Marge ZS2OB, welcomed all present,
especially the visitors, Errol ZS6KED and Bev
ZS1BEV.

THANKS FROM THE CHAIRMAN:

The Chairman thanked the ladies for the eats
provided for the meeting and congratulated Trevor
and Julie Scarr on becoming grandparents.
Thanks were extended to all members for all the work
they had done during the year to ensure the
successful running of the Branch.

CHAIRMAN'S REPORT:

This report as published in QSX was accepted on the
proposal by Trevor ZS2AE, seconded by Colin ZS2CTR.

FINANCIAL REPORT:

The Treasurer, Colin ZS2CTR, presented his report
which was accepted on the proposal of Clive ZS2RT,
seconded by Bud ZS2CA. Gus ZS2MC was thanked for
auditing the books.

PRESENTATION OF BRANCH TROPHIES:

The Chairman presented the branch trophies as
follows:

- DF Hunt Trophy to Vic ZS2SZ
- DX Trophy to Don ZS2DL
- Constructors' Trophy to Phil ZS2PP
- Ham Spirit Trophy to Marge ZS2OB
- VHF Trophy to Al ZS2U
- HAMNET Shield to Al ZS2U

Certificates of Merit were presented to Phil ZS2PP and XYL Pam for public relations work done at the Bathurst Show, and to Trevor ZS2AE for his unstinting work on the Branch Repeaters.

VOTE OF THANKS:

A1 ZS2U then thanked Marge, the Chairman, for her sterling service, sometimes under difficult circumstances, and presented her with a bouquet of flowers on behalf of the Branch. Marge was also presented with a Certificate for her exceptional service to the Branch.

ELECTION OF CHAIRMAN:

The Chairman then stood down. Lionel ZS2DD temporarily took the Chair and called for nominations for the office of Chairman. Colin ZS2CTR was proposed by Marge ZS2OB and seconded by Bud ZS2CA. There being no further nominations, Colin took over the Chair.

ELECTION OF COMMITTEE:

The new Chairman called for nominations for Committee Members. The following nominations were made:

Member:	Proposed By:	Seconded by:
A1 ZS2U	Marge ZS2OB	Colin ZS2CTR
Don ZS2DL	Dick ZS2RS	Colin ZS2CTR
Dudley ZR2RD	Bud ZS2CA	Garth ZS2HB
Fred ZS2EQ	Bud ZS2CA	Clive ZS2RT
Garth ZS2HB	Dick ZS2RS	Trevor ZS2AE
Keith ZR2AAX	Rene ZR2ABD	Garth ZS2HB
Martin ZS2ABN	Garth ZS2HB	Viv ZS2VM
Peter ZR2PF	Colin ZS2CTR	Anne ZR2ABC
Sharon ZR2ABK	Marge ZS2OB	Garth ZS2HB

As there were no further nominations, these members stood elected.

GENERAL:

Lionel ZS2DD agreed to continue as Regional Representative for SA AMSAT. Colin thanked him for his services to the Branch in this respect.

CLOSURE:

There being no further business, the meeting was closed at 20:15, with the Chairman inviting all present to enjoy the snacks and refreshments provided by the ladies and the Branch.

MICRO-80 MINI-TRANSCIVER

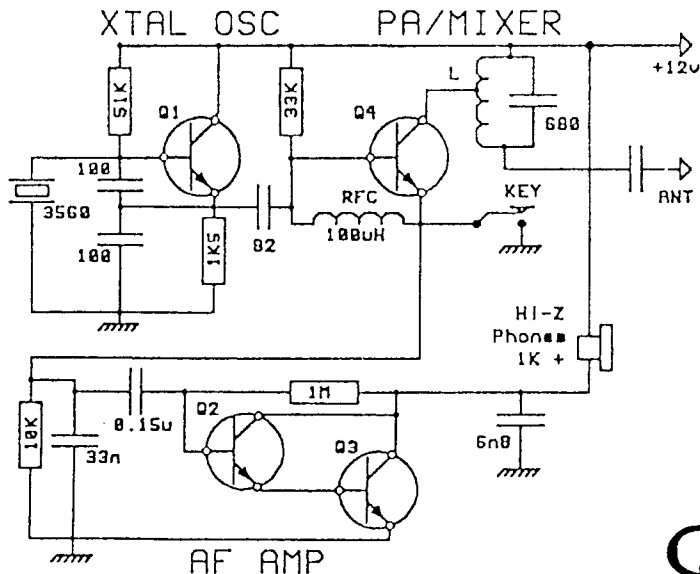
This circuit is a simple QSK transceiver for 80 metres which could be adapted for other bands by changing crystals and L and C in Q4. The devices quoted are Russian types but any generic transistors should perform in the circuit. Q1-3 would probably work with BC108 and perhaps a 2N3866 for Q4.

The RF choke is around 100uH and could be home-wound with 180 turns of 0.1mm wire on a 1/4 watt resistor of high value: say over 400K.

L is wound with 18 turns [5 + 13] of .33mm wire on an 8mm former with ferrite core.

(The transceiver seems to be designed for use with an end-fed half-wave antenna. Use a link of about 5 turns over the cold end of coil L to couple to the usual 50 ohm dipole.)

The suggested layout is used on a PCB 50 X 35 mm. Oled asks "Is this the world's smallest transceiver?"



CHAIRMAN'S ANNUAL REPORT

Another good year for the Branch !!

Here follows a summary - which just grew and grew as I recorded of our many activities during the year - and if I have missed out anything or anyone, my apologies:

MEETINGS

It was most gratifying to have such great turnouts of members and visitors (and a pooch) attending our monthly meetings. The support from our out of town members has been tremendous. Almost always there were our faithfuls from Humansdorp - Van ZS2JC, Paul ZS2ABY and Gideon ZS2ZS - and numerous members from Uitenhage and Despatch. At times members were unfortunately required to stand in the doorway or sit on tables and cupboards due to the limited accomodation. Efforts to locate another bigger and equally convenient venue have to date not been successful. Programmes were most varied and always enjoyable, and I must thank those members who presented or arranged talks for us.

BULLETINS

Branch bulletins were maintained on a weekly basis by members of the Committee. Relays were transmitted on 30 meters by Vic ZS2SZ, on 20 metres by Lionel ZS2DD and Wolf ZS2WG, and on the Grahamstown repeater by Bill ZS2ABZ. Favourable reports were received on the standard of our bulletins and the popularity of our after-bulletin nets.

BRANCH NEWSLETTER

Garth ZS2HB did a fantastic job in editing and producing QSX, to the extent that it was called a magazine and not a newsletter! Following increased production costs, bi-monthly issues were considered but this proposal was hotly rejected by the membership! Regretfully, Garth resigned from the

Committee and must be thanked again for the wonderful job he did on QSX.

With the welcome assistance of Mike ZR2MBM and Sandy ZS2LN the production of the newsletter has been continued. Thanks to all who contributed articles for it during the year, especially Phil ZS2PP, Viv ZS2VM and Martin ZS2ABN.

Mention must also be made of the friendly folk at **Instant Printing** who have gone out of their way to assist in meeting deadlines - your help has been much appreciated.

SOCIAL

A most enjoyable and well supported bring-and braai farewell was held for Bud ZS2CA on his departure for Cape Town at the QTH of Ben ZR2ABE. Also, a pleasant evening "Christmas Party" was spent by members at a restaurant at The Bridge. A bring-and-braai at the QTH of John ZS2J at Bathurst was also arranged, and the few who attended had a great time together.

A group of enthusiastic members in the Uitenhage/ Despatch area formed the U/D Informal Group in mid-year and held very popular monthly get-togethers which complemented our activities very well. They certainly showed us how to enjoy our hobby and the friendships created through it! An invitation was extended to all to attend these functions and they were thoroughly enjoyed, with mini-flea markets and raffles an added feature.

MEMBERSHIP

No major membership drives were carried out during the year but despite this our numbers have grown.

TRAINING

Technical classes for the Radio Amateur Examinations were conducted by Al ZS2U, Bud ZS2CA, Garth ZS2HB, Gerhard ZS2UM, and Keith ZR2AAX and very good results were achieved by the candidates. Many thanks to you for all the hours sacrificed for the hobby and the Branch. The results you achieved make it all worthwhile!

REPEATERS

Two new repeaters were installed - a 2-metre unit in Uitenhage and a 70cm "Town" repeater. For this we must thank Trevor ZS2AE, Chris ZS2AAW and the U/D Group; and Dudley ZS2DR and Wolf ZS2WG, respectively, for getting these repeaters on the air.

Phil ZS2PP donated several transceivers to the Branch and these were converted to repeaters and installed at Grahamstown and Uitenhage by Trevor and Chris. Grateful thanks are extended to Trevor and Chris for providing regular maintenance of our repeaters during the year.

Major repairs were carried out to the Lady's Slipper Repeater hut and an adjoining commercial installation by a group of willing members. From the proceeds raised from this work a repeater development fund was established and has grown to a very tidy sum. The purpose of the fund is to produce some 2-metre duplexers for use on the Branch repeater system. Work on this project is now well under way with Wolf ZS2WG leading an enthusiastic team of members.

A work party of 16 members cleared away the overgrown vegetation around the Grahamstown repeater and it was tremendous to see what could be achieved so quickly by a team effort.

Decisions were made to remove the Cockscomb repeater at the earliest opportunity and to proceed with a 2-metre/70cm link from Grahamstown to East London in preference to a Cape Town Link.

PACKET BULLETIN BOARD

A computer was purchased and a full-blown PBBS set-up by Wolf ZS2WG. Piet ZS2FP later set up a further PBBS and members had a choice of two bulletin boards to use, with Piet taking over the HF side of things. Many thanks to you both for the hard work that went into this service for members.

Lionel ZS2DD very kindly built up a digipeater which was installed at Grahamstown and worked very well until "Poor Man's Packet" TNC's developed from kits prepared by the Branch became popular with many members and were found to have a compatibility problem.

The TNC at the digipeater was upgraded to a commercial unit and is now working perfectly. Trevor ZS2AE, Chris ZS2AAW, Roy ZR2ABF, Phil ZS2PP and Gerhard ZS2UM must be thanked for assisting in one way or another with this project.

FLEA-MARKET

Vic ZS2SZ was successful in securing the donation of a considerable amount of redundant equipment from his saltmine and this, together with equipment obtained and donated by Dudley ZS2DR as well as other members, was disposed of at a very successful flea-market held at Vic's QTH. Over R1 500 was raised towards the repeater development fund. Many thanks Vic and Dudley and all who supported this venture.

SAREX

One of the highlights of the year was our involvement with the SAREX radio communications and students at the Westering High School Radio Club. Several delays with the launch of the Space Shuttle caused much frustration, but when it was finally launched in April great excitement was reached. The sked with the Shuttle Commander was a great success with communications being maintained over the full 8-minute pass. The kingpin behind the radio communications was Andre ZS2ACP, who allowed us the use of his shack and radio equipment. A large number of members, too numerous to mention, assisted with this event which brought much media publicity to event, the school and ham radio.

VW RALLY

Al ZS2U led our team in organising very successful radio communications for the rally. 43 members took part and, as usual, thoroughly enjoyed themselves.

FUNDRAISING

With Port Elizabeth being the venue for the 1994 SARL AGM, fundraising for this event has been a priority. A large amount was raised from donations which came in from all over the country with the payment of annual subscriptions.

Competitions were held in QSOX with a voucher for a weekend for two at a Wild Coast hotel being the prizes. Unfortunately conditions in the Transkei made it impossible for the prizes to be taken up and the vouchers expired. As soon as things normalise new vouchers will be presented to the winners. Pam, XYL of Phil ZS2PP baked a scrumptious-looking Christmas cake for us which was raffled. Numerous members made donations of cash or equipment which was sold in aid of the fund. The beautiful oil painting donated by Lydia White is to be raffled shortly and I am sure that with a little effort our target of R7 500 will be reached.

To everyone who made a donation, thank you very much.

OTHER ACTIVITIES

The Scouts Jamboree convened by Dick ZS2RS involved a record 17 members who demonstrated several facets of our hobby. It was quite a pleasure to see the youngsters enjoying themselves and being introduced to the fun of ham radio.

The Scouts were most appreciative of the trouble we went to.

For the Westering High School Radio Club and its offspring, the Young Amateur Society, which the Branch fosters, SAREX was the main event of the year.

Several students sat and passed the Class-B RAE but it is a pity that, although CW classes were presented on the air, none have obtained licences. The "Young Amateur of the Year Award" was presented to Mike ZR2MBM in Johannesburg and this brought further national focus onto the Branch.

The Branch participated in several Intechnet telephonic technical discussion linkups arranged by

HQ which were always very interesting and well supported.

A ham radio stand was set up at a Hobbies Fair at the Walmer Town Hall and aroused much interest from the public.

Bill ZS2BY kindly agreed to being nominated to the SARL Council and just missed being elected by a small number of votes. The number of votes he achieved drew a lot of attention to the Branch and was a great credit to Bill.

Al ZS2U hosted the HAMNET simulated emergency contest. This proved to be very popular across the country with excellent participation.

Al also went on a DX-Pedition to the Ciskei and apart from getting pretty muddy had a great time promoting the Ciskei to the world.

Colin ZS2AO has maintained our WEFAX relay from the PE Museum and this fascinating mode has brought pleasure to many. Thank you, Colin.

This report would be incomplete without mentioning the delight which was felt by many members when Bill ZS2ABZ surprised us all by passing the CW Test. You showed them, Bill !!

COMMITTEE

Without the dedication and commitment of the Committee the Branch simply would not function. I would like to thank each member of the Committee for their support and unstinting work performed. You all deserve an accolade for the time and effort devoted to the Branch.

FINALLY ...

To you, the members, I express my sincere thanks for your enthusiasm, support and friendship.

The success of the Branch, I believe, depends very much on us putting this wonderful hobby of ours first, the Branch second, and personal feelings last.

I wish you a happy and successful year ahead, and may the Premier Branch continue to prosper.

Colin ZS2CTR
Chairman

FEEDBACK

- * Following the appeal in QSX for members to make themselves available for nomination to the Branch Committee, the following members have indicated that they are prepared to be nominated:

Al ZS2U, Clive ZS2RT, Colin ZS2CTR,
Dick ZS2RS, Peter ZR2PF, Sharon ZR2ABK and
Wolf ZS2WG.

To function effectively the Committee needs to comprise of at least 8 members. If you would like to give something back to your hobby and the Branch, and would be committed to fulfilling your obligations as a Committee Member, please make yourself available for nomination at the AGM. The Branch needs you !!

- * A few pointers regarding voting and nominations at the AGM:
 - * Only paid-up members are eligible to vote.
 - * A valid proxy may be given by a paid-up member unable to attend the meeting to an eligible member to vote on his behalf at the meeting.
 - * Members nominated as Chairman or to the Committee must agree/have agreed in writing to accepting the office.

- * Many thanks to the East London branch for a donation of R150,00 towards our 1994 AGM Fund. It is very much appreciated. We look forward to seeing many of your members at the AGM next March.

- * Apologies to the East London Branch for creating a misunderstanding in the July issue of QSX when referring to the 725 Stutterheim repeater. In a letter to the Branch their Secretary points out that "the setting up of a 725 repeater by yourselves while ours was down was most unexpected and should have been discussed with us". What was said was certainly not intended to imply that the East London branch are in any way unco-operative. One's choice of words is often crucial!
Of course, what should have been said was "the EL branch has no reason to change the frequency of their repeater".
Humblest apologies, East London.

- * Al ZS2U has received payment of rally claims from the Algoa Motor Rally Club and members can arrange with him to collect their petrol claims from him at Saturday's afternoon's AGM or thereafter.

- * The Committee recently discussed the question of bulletins and lengthy relays, such as Intechnet, on the Lady's Slipper repeater with regard to the passing of emergency traffic and it was unanimously agreed that there was no reason to bring in any change unless special circumstances justified it.

SUBSCRIPTIONS

- * Subscriptions to the League are now overdue. If you haven't renewed your subs you will not be sent your September 1993 "Radio ZS" or new ZS Callbook. Remember that subs can be paid by Credit Card by phoning the SARL HQ on 011-4842830 or by fax on 011-4842831, giving your name and callsign, the credit card number, card company and card expiry date.

VHF QSO PARTY

The purpose of the QSO Party is to provide the opportunity for radio amateurs in the East Cape to make many VHF contacts on simplex. Do join in the fun.

The QSO Party will take place from 12h00 SAST on Saturday, 2nd October to 12h00 SAST on Sunday, 3rd October, 1993. There will be a 2 metre section and a 6 metre section. Participants may enter either or both sections.

Serials must be exchanged, consisting of the normal report plus a three digit serial starting at 001, this for each band. FM, SSB and CW may be used.

The East Cape will be divided into two zones.

ZONE A : East Cape, West of 26 longitude

ZONE B : East Cape, East of 26 longitude

In each zone there will be four categories :

- 1) Single operator fixed station
- 2) Multi-operator fixed station
- 3) Single operator portable station
- 4) Multi-operator portable station

Portable stations may not use any permanent structures to house equipment or to support antennas. No mains power is to be used for the operation which must be from the same site for the duration of the QSO Party.

A further category is for South African amateurs outside the East Cape who will score points through contacts with East Cape amateurs.

A certificate will be issued to the winner of each section, provided that there are at least three entrants in that section. Logs must show date, time and call of contact and serials sent and received. Use a separate sheet for each band. Location of your station must be given as accurately as possible, and if the station you contact is not participating in the contest, make a note of his location as well. Location could be the stations address, co-ordinates or six figure Maidenhead Locator. Failing this indicate the relation of the station to some prominent landmark.

Also, though not necessary, equipment used.

Closing date for entries is 31st October, 1993, and logs should be sent to :

VHF QSO Party
 PO Box 10402
 Linton Grange, 6015.

POINTS ALLOCATION

Distance in km	Points	Distance in km	Points
0 - 25	1	26 - 50	2
51 - 100	3	101 - 200	5
201 - 300	7	over 300	10

SUGGESTED CALLING FREQUENCIES AND ANTENNA POLARISATION

Band	Mode	Calling Freq.	Polarisation	Band	Mode	Calling Freq.	Polarisation
2m	FM	145.5 MHz	Vertical	6m	FM	51.4 MHz	Horizontal
2m	SSB	145.2 MHz	Horizontal	6m	SSB	50.2 MHz	Horizontal
2m	CW	145.2 MHz	Horizontal	6m	CW	50.2 MHz	Horizontal

SAMPLE LOG SHEET

VHF QSO PARTY - ZR2XYZ - 2m Log

Location : Port Elizabeth Station Type : Portable

TIME	CALLSIGN	SERIAL		RST SENT	RST RECVD.	NOTES
		SENT	RECVD.			
1200	Z52PE	001	003	5/6	5/7	KF265B - Colin op.



Instant Printing

FOR ALL YOUR
 PRINTING REQUIREMENTS

9 St. Patricks Road, Port Elizabeth 6001

Telephone: (041) 55-2614

Try us for your QSL cards!



FINANCIAL STATEMENT OF INCOME AND EXPENDITURE
FOR THE PERIOD 1992.07.01 TO 1993.06.30

INCOME

BALANCE B/FORWARD	5 897,28
HQ Share Subs	4 231,05
Branch Share Subs	2 620,65
AGM Fund	3 115,02
Repeater Funds	2 751,50
Packet and Wefax Kits	1 983,35
Rally Claims	2 044,70
Teas	299,68
Donations	414,00
Books Sold	175,50
Adverts QSX	70,00
Subs S83X	85,00
Raffle Map	50,00
Crystals	202,05
AGM Expenses Excess Drawn	36,79
SARL AGM Excess Drawn	20,00
Software ex ZS6TW	240,00
VAT Refund	30,39
Receipt Books Overpaid	0,15
Interest on Savings Acc	142,39
Interest on Fixed Deposit	971,06

EXPENDITURE

HQ Share Subs	5 022,55
Electricity	301,23
QSX	2 192,92
PBBS & Repeater Exp	1 725,19
Teas	233,15
Photostats Handouts	39,00
Rally Claims	1 386,24
Branch AGM Expenses	200,00
Misc/Posts & Petties	188,41
Packet & Wefax Kits	2 206,00
Bank Charges	24,42
Books	370,80
SAREX Video	70,00
PO Box Rental	30,00
Faxes HQ, SAREX & NPBC	15,00
Licences	72,00
Awards Expenses	27,07
AGM Delegates Expenses	660,00
Committee Social	75,66
RAE Classes - Expenses	42,24
Receipt Books (7)	58,27
Farewell ZS2CA	122,12
Presentation ZS2CA	36,00
Subs S83X	85,00

BALANCE C/FWD REPRESENTED BY	
Savings Account	2 308,96
Fixed Deposit	7 888,33

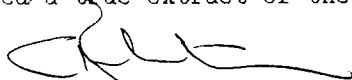
Total 10 197,29

BALANCE C/FORWARD 10 197,29

R 25 380,56

R 25 380,56

Certified a true extract of the books of the SA Radio League, PE Branch.



TREASURER *ZS2JK*



HON. AUDITOR
ZS2MC